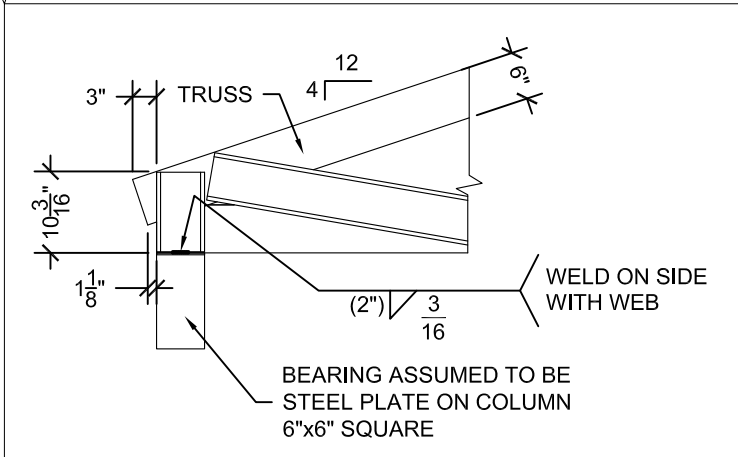
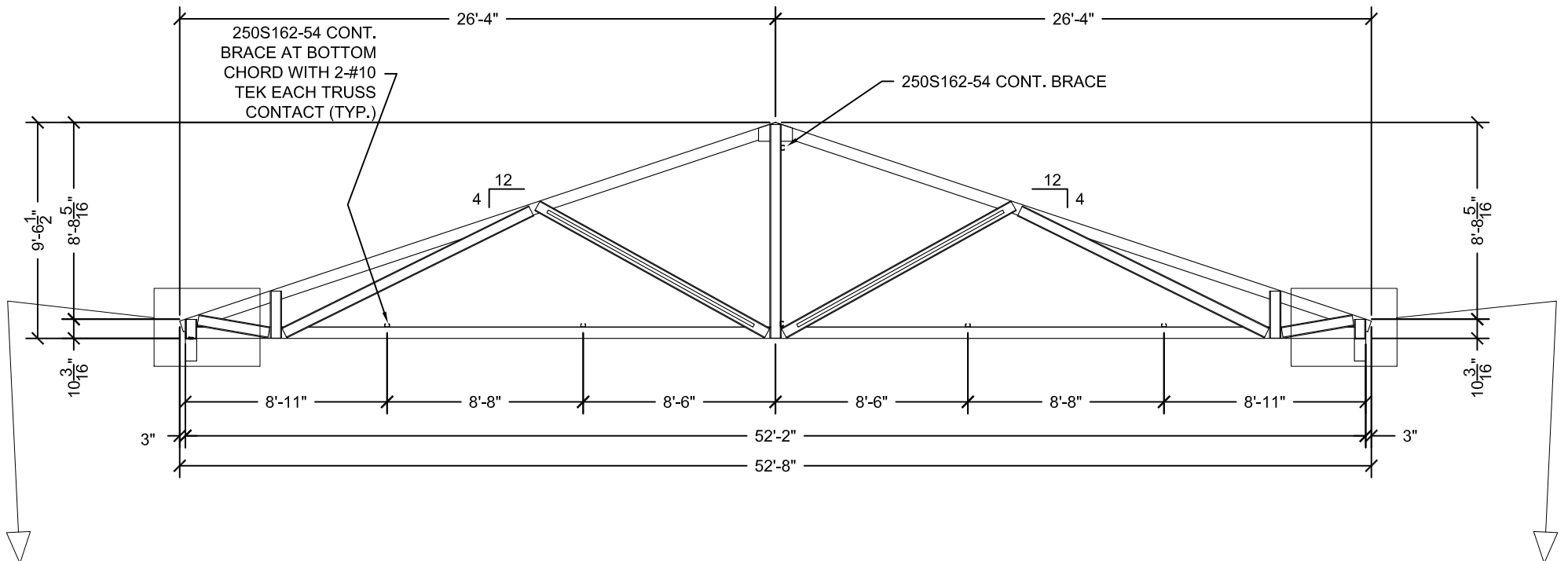


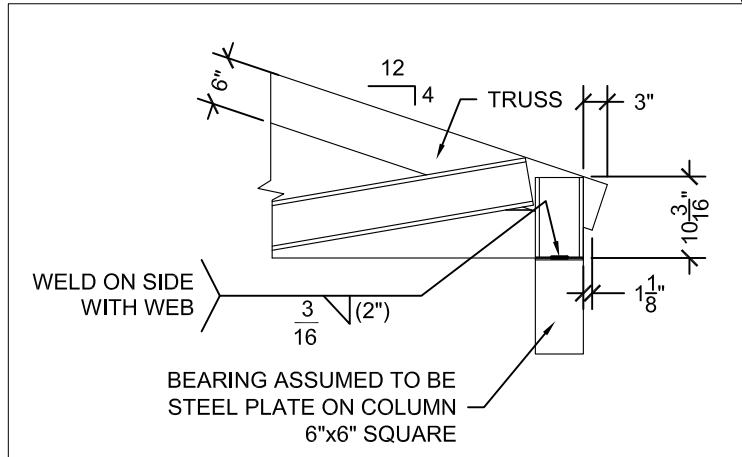
The use of these documents and drawings shall be restricted to the original project for which they were prepared and any publication of these documents and specifications is expressly limited to such project. Re-use, reproduction, or publication of any method, in whole or in part, of these documents and drawings remains with Rusk Component and Design, LLC.

Project Name and Address:
 Western Sugar-Evaporation Station Truss
 18317 Highway 144
 Fort Morgan, Colorado

Project No: PC052813	DETAIL DESCRIPTION Truss Layout Plan	DETAIL No: T1-LAY	Sheet 1
Date: 7/17/2013	Scale: 1/8" = 1'-0"		



NOTE:
 TRUSS TOP CHORD IS ASSUMED TO BE SHEATHED BY OTHERS AT BEST CASE. AT WORSE CASE, THE TOP CHORD SHOULD BE BRACED BY OTHERS AT PANEL POINTS IF SHEATHING IS NOT APPLIED DIRECTLY TO THE TRUS CHORD.



The use of these documents and drawings shall be restricted to the original project for which they were prepared and any publication of these documents and specifications is expressly limited to such project. Re-use, reproduction, or publication of any method, in whole or in part, of these documents and drawings remains with Rusk Component and Design, LLC.

Project Name and Address:
 Western Sugar-Evaporation Station Truss
 18317 Highway 144
 Fort Morgan, Colorado

Project No: PC052813	DETAIL DESCRIPTION Truss Section	DETAIL No: T1-SEC	Sheet 2
Date: 7/17/2013	Scale: N.T.S.		